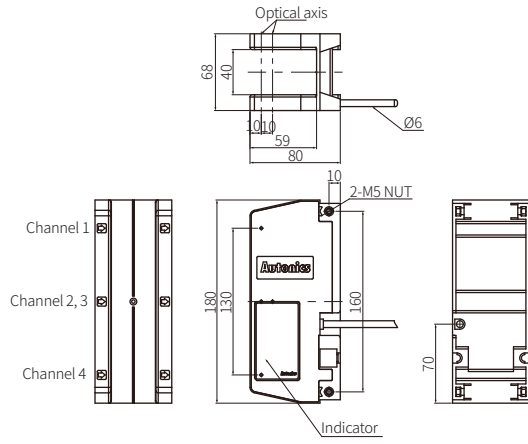


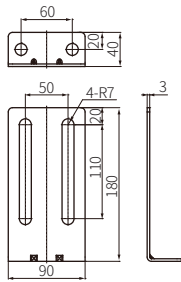


## Dimensions

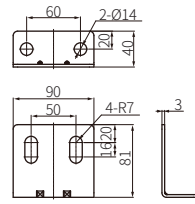
- Unit: mm, For the detailed drawings, follow the Autonics website,



### ■ Bracket H01



### ■ Bracket H03



### ■ Bracket H04

